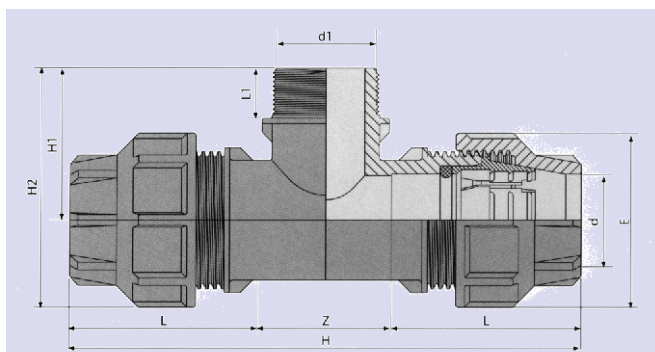


Тешѝек 90° со навој М

Намена: за механичко спојување со ХД/
 ХП/МД/ЛД Пе цевки во согласност со
 ИСО 4427, ДИН 8074


Tee male thread 90°

Execution: for mechanical connection of HD/
 HP/MD/LD PE pipes in compliance with ISO
 4427, DIN 8074



d x d x d	L	Z	H	E	L1	H1	H2	ден/парче den/pc.	€/парче €/pc.
20 x 1/2" x 20	54	24.0	132	46	18	42	66		
20 x 3/4" x 20	54	24.0	132	46	20	45	68		
25 x 1/2" x 25	60	30.0	150	52	18	46	73		
25 x 3/4" x 25	60	30.0	150	52	20	48	75		
25 x 1" x 25	60	30.0	150	52	23	49	76		
32 x 3/4" x 32	72	42.0	186	64	20	60	93		
32 x 1" x 32	72	42.0	186	64	20	60	93		
40 x 1 1/4" x 40	75	62.0	212	78	26	72	113		
40 x 1 1/2" x 40	75	62.0	212	78	26	72	113		
40 x 2" x 40	75	62.0	212	78	26	72	113		
50 x 1 1/4" x 50	96	72.0	264	94	25	78	129		
50 x 1 1/2" x 50	96	72.0	264	94	26	78	129		
50 x 2" x 50	96	72.0	264	94	28	82	133		
63 x 1 1/2" x 63	109	80.0	298	113	24	83	141		
63 x 2" x 63	109	80.0	298	113	29	87	145		
75 x 2" x 75	126	80.0	332	128	32	95	165		
75 x 2 1/2" x 75	126	80.0	332	128	36	100	170		
75 x 3" x 75	126	80.0	332	128	36	100	170		